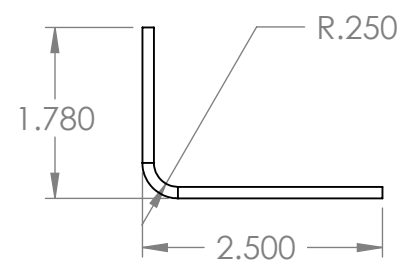
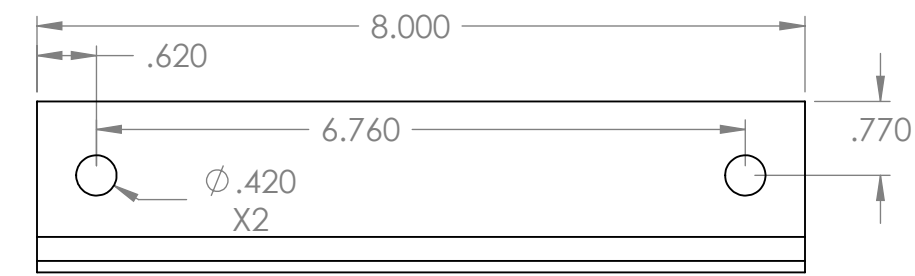
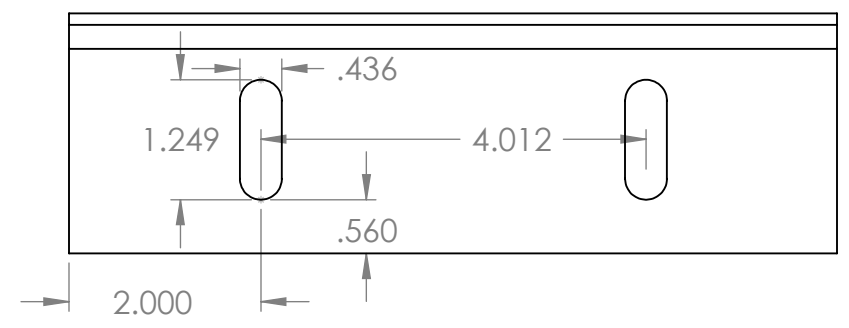
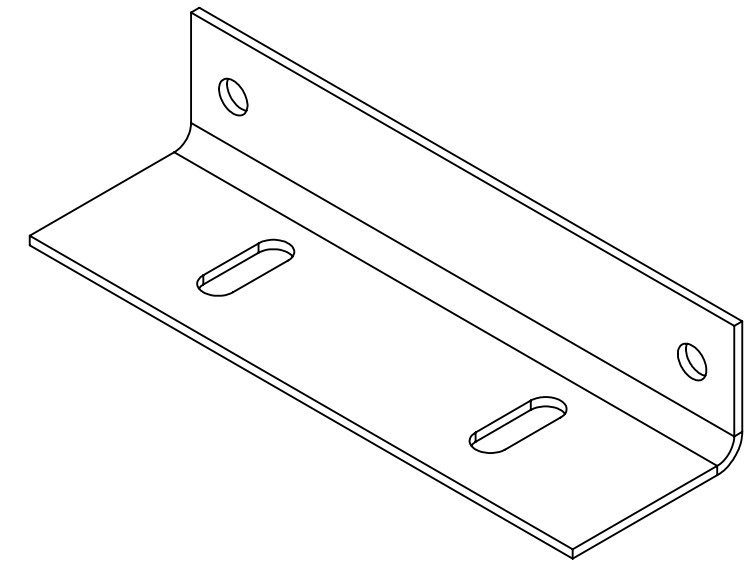


X= .263
R= .250



PROPRIETARY AND CONFIDENTIAL
THE INFORMATION CONTAINED IN THIS DRAWING IS THE SOLE PROPERTY OF Metal Werks, Inc. ANY REPRODUCTION IN PART OR AS A WHOLE WITHOUT THE WRITTEN PERMISSION OF Metal Werks, Inc. IS PROHIBITED.

		UNLESS OTHERWISE SPECIFIED:		NAME	DATE	Customer Number:	
		DIMENSIONS ARE IN INCHES		DRAWN	MM	7/6/2010	Diamond Concrete Oroduts
		TOLERANCES:		CHECKED			TITLE:
		FRACTIONAL ±		ENG APPR.			Stair Tread Mount
		ANGULAR: MACH ± BEND ± 1.0		MFG APPR.			
		TWO PLACE DECIMAL ± .030		Q.A.			
		THREE PLACE DECIMAL ± .010		COMMENTS:			
		INTERPRET GEOMETRIC TOLERANCING PER:					
		MATERIAL					SIZE
		11 GA CRS					DWG. NO.
		FINISH					REV
		Galvanized					-
NEXT ASSY	USED ON	APPLICATION					SCALE: 1:2
		DO NOT SCALE DRAWING					WEIGHT:
							SHEET 1 OF 1

Metal Werks, Inc.

5625 47th Ave. NE Unit D Marysville, WA 98270
Tel: 360.651.0300 Fax: 360.651.2318