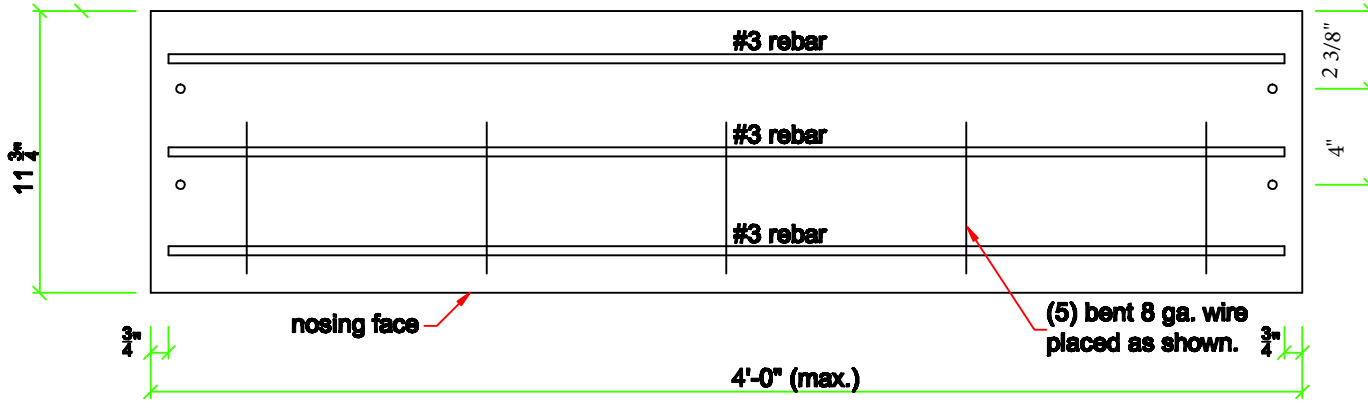
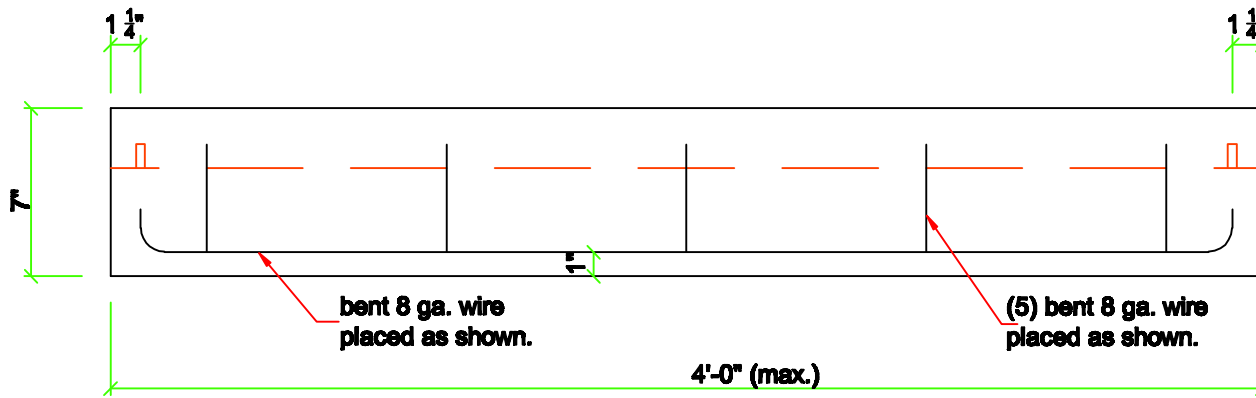


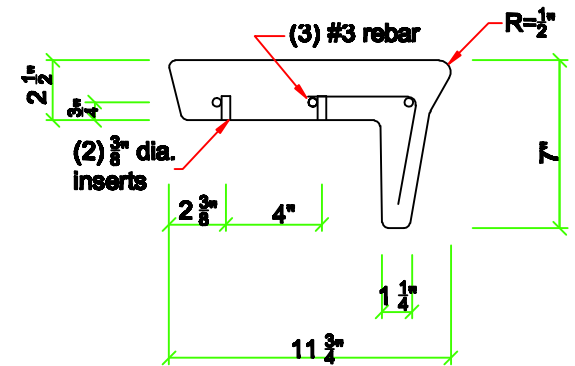
Note:
 Fy = 60 ksi
 fc = 5000 psi



Top View



Front View



Section View

Closed tread detail

$1\ 1/2" = 1'-0"$